

# KARL MAYER

WE CARE ABOUT YOUR FUTURE



WARP KNITTING  
经编机

**RDPJ 6/2 (EL)**

**RDPJ 4/2 (EL)**

**DJ 6/2 (EL)**

**DJ 4/2 (EL)**

SMART TRONIC® Double Needle Bar Machines  
施迈特簇尼克® 双针床经编机





---

# DOUBLE NEEDLE BAR MACHINES: ELASTICITY AND SMOOTHNESS CONNECTED BY ADVANCED TECHNOLOGY

---

双针床经编机：采用先进的技术生产具备  
优质弹力和光滑的衣物

---



## Your Benefit – Our Solution 您的优势 — 我们的解决方案

### SMART TRONIC® Double Needle Bar Machines with Piezo-Jacquard Technology 采用匹艾州贾卡技术的施迈特簇尼克®双针床经编机

This SMART TRONIC® Double Needle Bar Raschel machine was developed to provide versatile knitting structures. The built-in Piezo-Jacquard technology is capable of joining thick, sectional fabric structures smoothly and seamlessly. Variations of Jacquard structures have been enhanced to allow free pattern designs and to ensure production of homogeneous and beautiful products comprising a mixture of thick fabric and thin fabric. Application of this technology can produce cylindrical goods up to almost complete products with less necessity for a sewing process. Considerably improved pattern effects enable the manufacture of a variety of products ranging from innerwear, such as seamless foundation wear and pantyhose up to outerwear.

#### **Outerwear, seamless foundation wear (Pantyhose)**

Newly designed structures can offer two-colour pattern effects, thus creating a combination with an epochal and novel production technique that results in unique and individualistic seamless products. Moreover, taking an advantage of seamless features, the machine allows the designers to fully exhibit their creativeness, for instance by incorporating cylindrical streamline design or lacy design so as to produce fascinating clothes.

#### **Bodysuits, innerwear**

Thanks to the use of functional materials to ensure a feeling of softness against the skin, Jacquard mesh to add breathability and perfect seamless finishing, the clothes are as comfortable to wear as they are beautiful to see. The use of elastic yarns makes the garments fit the body perfectly. Moreover, the Piezo-Jacquard system enables a variety of mesh structures and pattern effects to be achieved, which offer both comfort and an exciting appearance.

这款施迈特簇尼克®双针床经编机可生产多种针织结构。匹艾州贾卡技术使织物不同结构之间的连接光滑、无缝。多种贾卡提花结构使花型设计更加自由，并保证了较高的生产效率，生产出厚实和轻薄效应相结合的高品质织物。应用这种技术，我们可以生产圆筒型织物，整件衣物几乎不需要缝合。进一步增强的提花能力促进了产品种类的延伸，包括无缝内衣、连裤袜，以及外衣等。

#### **外衣, 无缝内衣 (连裤袜)**

新设计的结构可以实现双色的花型效果，全新的生产技术可以实现独特的无缝产品。利用无缝的特点，设计者可以充分展示他们的创造力，例如，采用线条或者花纹元素生产出独具魅力的衣物。

#### **紧身衣, 内衣**

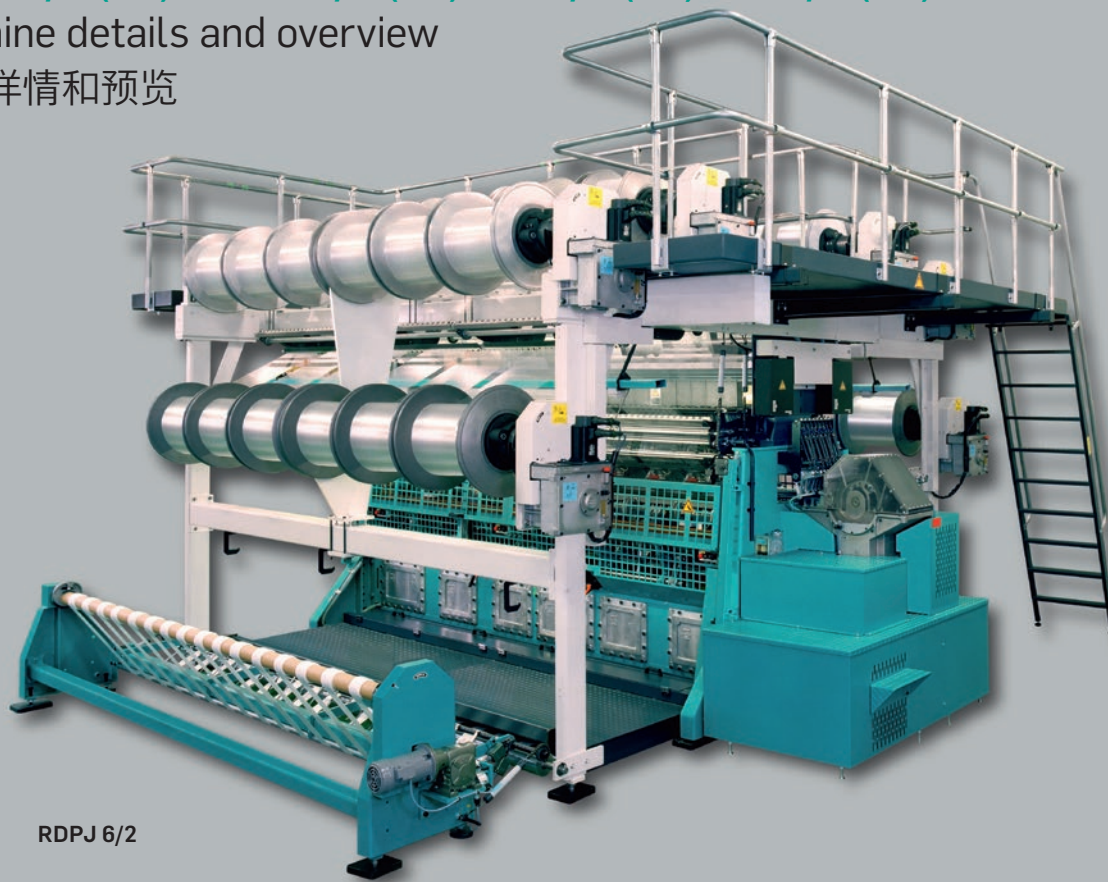
功能性材料赋予产品柔软的手感，贾卡网孔结构提供良好的透气性能，无缝成型消除了皮肤的不适感，使衣物穿着更加惬意。弹力纱线的使用让衣物完美地贴合身体曲线。此外，通过匹艾州贾卡技术实现的各种网眼结构和花型效果使产品穿着舒适、外观美丽大方。



## RDPJ 6/2 (EL); RDPJ 4/2 (EL); DJ 6/2 (EL); DJ 4/2 (EL)

Machine details and overview

机器详情和预览



RDPJ 6/2

### RDPJ 6/2 (EL); RDPJ 4/2 (EL)

The high-technology SMART TRONIC® machine for all sorts of seamless products

- Easy manifold patterning
- High productivity for seamless goods

生产各种无缝产品的高科技施迈特簇尼克®经编机

- 操控简单, 强大的起花能力
- 高效率地生产无缝产品

### DJ 6/2 (EL); DJ 4/2 (EL)

The compact high-technology SMART TRONIC® machine for all sorts of seamless products

- High flexibility
- Easy handling and short set-up time
- Variety of fine gauges

生产各种无缝产品的紧凑型高科技施迈特簇尼克®经编机

- 高度灵活
- 简单的操作和简短的设置时间
- 多种高机号选择



Create unique and individualistic seamless products with homogeneous and beautiful designs.

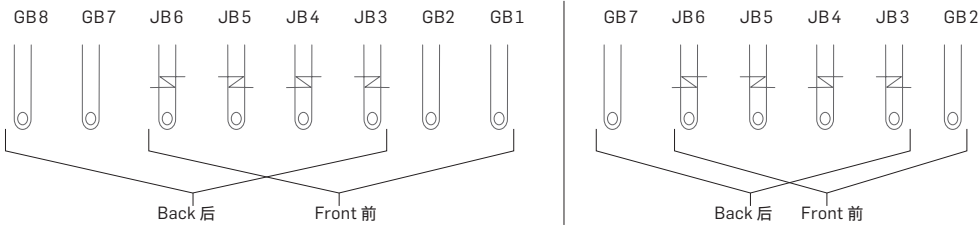
生产精美、独特、个性化的无缝产品。

End uses 终端应用	RDPJ 6/2 (4/2)	DJ 6/2 (4/2)
spacer 衬垫		
plush 毛绒		
toy plush 玩具绒		
shoe fabrics 鞋材		
outerwear 外套	×	×
simplex 辛普勒克斯		
seamless 无缝衣物	×	×
medical 医用纺织品	×	×
semi-technical applications 半产业应用	×	×
mattresses 床垫		

# RDPJ 6/2 (EL); RDPJ 4/2 (EL)

## Technical data

## 技术参数



### Bars

Four (two) ground guide bars, two Piezo-Jacquard guide bars (split execution); JB3, JB4, JB5 and JB6 stitch-forming on both needle bars (four shogging lines).

### 梳栉

4 (2) 把地梳, 2把匹艾州贾卡梳 (分离式); JB 3, JB 4, JB 5和JB6在两把针床上均成圈 (4条横移线)

### Working width / Gauge

3505 mm = 138"  
E 16, E 18, E 24, E 28

### Fabric take-up

Three-roller system, driven by electronic drive

### 工作门幅/机号

3505 mm = 138英寸  
E 16, E 18, E 24, E 28

### 织物牵拉机构

3罗拉系统, 由电机传动

### Knock-over comb bar distance

0.65–1.0 mm, continuously adjustable, incl. patented stitch comb swivelling device

### Batching device

No. 14F-J1  
No. 20 (Fabric plaiting device)  
No. 24-J1

### 脱圈板床间距

0.65–1.0 mm, 无极调节, 包括获得专利的沉降片释放装置

### 卷取机构

14F-J1号卷取机构  
20号卷取机构 (摆式落布装置)  
24-J1号卷取机构

### Knitting elements

Two individual latch needle bars, two knock-over comb bars, two stitch comb bars

### Pattern drive

RDPJ 6/2 (EL):  
N-drive with eight pattern discs or pattern drums  
EL-drive with eight electronic guide bar drives

### 成圈机件

2个嵌入式舌针针床, 2个脱圈板床, 2个沉降片床

### 提花机构

RDPJ 6/2 (EL):  
采用8个花盘或者花纹滚筒的N型提花机构

### Warp beam support

RDPJ 6/2 (EL):  
6 × 812 mm = 32"  
(free-standing)

### RDPJ 4/2 (EL):

N-drive with six pattern discs or pattern drums  
EL-drive with six electronic guide bar drives

### 经轴架

RDPJ 6/2 (EL):  
6 × 812 mm = 32英寸 (独立式)  
RDPJ 4/2 (EL):  
4 × 812 mm = 32英寸 (独立式)

### 提花机构

RDPJ 4/2 (EL):  
采用6个花盘或者花纹滚筒的N型提花机构  
采用6个横移电机的EL提花机构

RDPJ 4/2 (EL):  
4 × 812 mm = 32"  
(free-standing)

### 卡迈酷斯® (卡尔迈耶控制系统)

操作界面, 用于设置、控制和调节机器的电控部分功能

### 电子设备

调速主电机, 断电保护, 具有独立的精确定位功能, 机器总连接负载  
RDPJ 6/2 (EL) = 34千伏安 (55千伏安)  
RDPJ 4/2 (EL) = 28千伏安 (44千伏安)

### KAMCOS®

(KARL MAYER COMMAND SYSTEM)

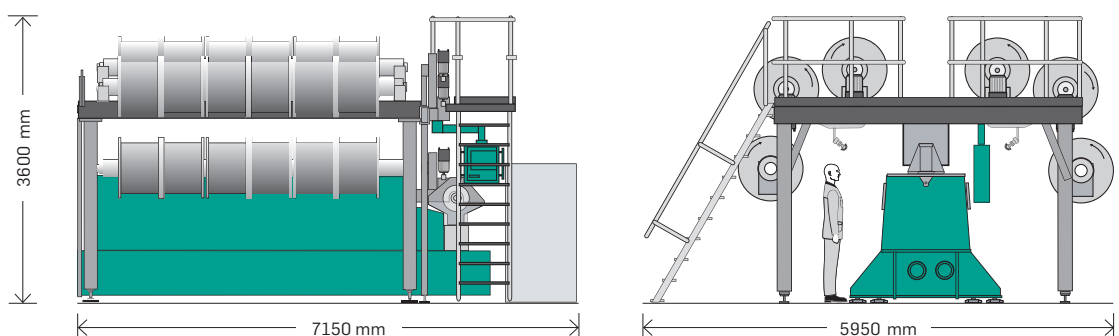
Operator interface to configure, control and adjust the electronic functionality of the machine

### Electrical equipment

Speed-regulated main drive, power-failure safe with separate fine-positioning function, total connected load:

RDPJ 6/2 (EL) = 34 kVA (55 kVA)  
RDPJ 4/2 (EL) = 28 kVA (44 kVA)

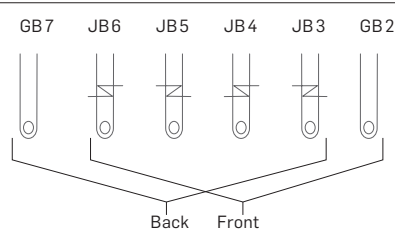
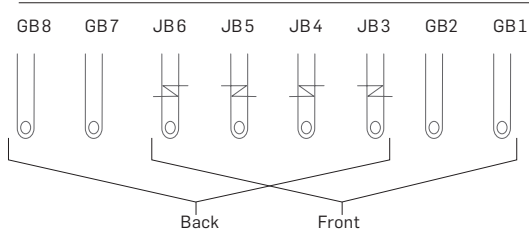
Total width 宽度  
7150 mm  
Total depth 纵深  
5950 mm  
Total height 高度  
3600 mm



# DJ 6/2 (EL); DJ 4/2 (EL)

## Technical data

## 技术参数



### Bars

Four (two) ground guide bars, two Piezo-Jacquard guide bars (split execution); JB 3, JB 4, JB 5 and JB 6 stitch-forming on both needle bars (four shogging lines).

### 梳栉

4 (2) 把地梳, 2把匹艾州贾卡梳 (分离式); JB 3, JB 4, JB 5和JB6在两把针床上均成圈 (4条横移线)

### Working width / Gauge

1117 mm = 44"  
E 24, E 28, E 32

### Fabric take-up

Three-roller system, driven by electronic drive

### 工作门幅/机号

1117 mm = 44英寸  
E 24, E 28, E 32

### 织物牵拉机构

3罗拉系统, 由电机传动

### Knock-over comb bar distance

0.65 mm, fixed distance, not adjustable

### Batching device

No. 16  
Fabric plaiting device

### 脱圈板床间距

0.65 mm, 固定距离, 不能调节

### 卷取机构

16号卷取机构  
摆式落布装置

### Knitting elements

Two individual latch needle bars, two knock-over comb bars and two stitch comb bars

### Pattern drive

DJ 6/2 (EL):  
E-drive with eight pattern discs or pattern drums  
EL-drive with eight electronic guide bar drives

### 成圈机件

2个嵌入式舌针针床, 2个脱圈板床, 2个沉降片床

### 提花机构

DJ 6/2 (EL):  
采用8个花盘或者花纹滚筒的E型提花机构

### Warp beam support

DJ 6/2 (EL):  
6 x 812 mm = 32"  
(free-standing)  
DJ 4/2 (EL):  
4 x 812 mm = 32"  
(free-standing)

### DJ 4/2 (EL):

E-drive with six pattern discs or pattern drums  
EL-drive with six electronic guide bar drives

### 经轴架

DJ 6/2 (EL):  
6 x 812 mm = 32英寸 (独立式)  
DJ 4/2 (EL):  
4 x 812 mm = 32英寸 (独立式)

### 提花机构

DJ 4/2 (EL):  
采用6个花盘或者花纹滚筒的E型提花机构  
采用6个横移电机的EL提花机构

### KAMCOS®

#### (KARL MAYER COMMAND SYSTEM)

Operator interface to configure, control and adjust the electronic functionality of the machine

### Electrical equipment

Speed-regulated main drive, power-failure safe with separate fine-positioning function, total connected load:

DJ 6/2 (EL) = 15 kVA  
(16 kVA)

DJ 4/2 (EL) = 12 kVA  
(14 kVA)

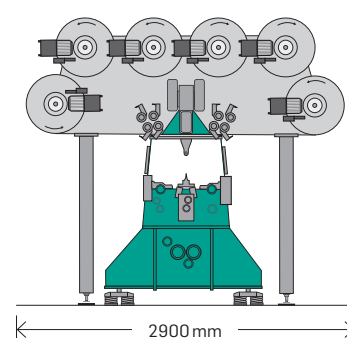
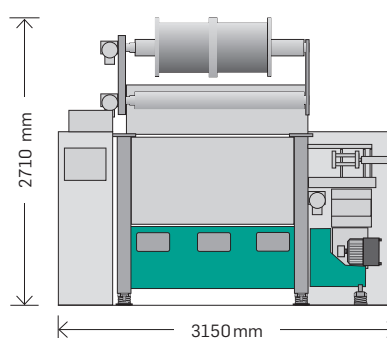
### 卡迈酷斯® (卡尔迈耶控制系统)

操作界面, 用于设置、控制和调节机器的电控部分功能

### 电子设备

调速主电机, 断电保护, 具有独立的精确定位功能, 机器总连接负载  
DJ 6/2 (EL) = 15千伏安  
(16千伏安)  
DJ 4/2 (EL) = 12千伏安  
(14千伏安)

Total width 宽度  
3150 mm  
Total depth 纵深  
2900 mm  
Total height 高度  
2710 mm



# KARL MAYER Worldwide



**Europe** **Germany** Obertshausen, Chemnitz, Naila **Italy** Mezzolombardo **Switzerland** Uzwil **UK** Shepshed  
**Asia** **China** Changzhou City, Hong Kong **India** Mumbai, Ahmedabad **Japan** Fukui-City  
**North America** **USA** Greensboro

© KARL MAYER Textilmaschinenfabrik GmbH  
Brühlstraße 25 · 63179 Obertshausen · Germany  
[www.karlmayer.com](http://www.karlmayer.com)

The information provided in this document contains general descriptions or specifications which may change as a result of further development of the products. An obligation to provide the respective characteristics shall only exist if expressly agreed in the terms of contract. Availability and technical specifications are subject to change without notice. All rights reserved.