



WARP PREPARATION

MULTI-MATIC® 32 Compact

High performance warp sampling machine for short and medium-length production warps in the same footprint as GIR-O-MATIC®

Your benefit



Short setup time and maximum flexibility for warp patterning at highest productivity



Maximum efficiency due to precision high speed yarn feed control



Fully automatic, network connected and remote-service capable

MULTI-MATIC® 32 Compact

Technical data

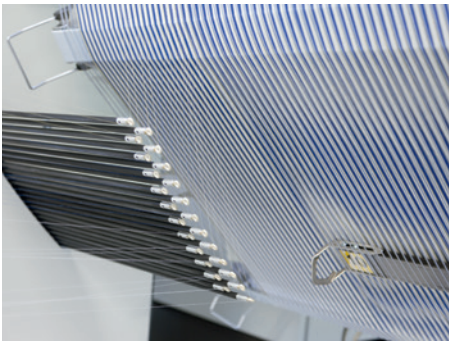
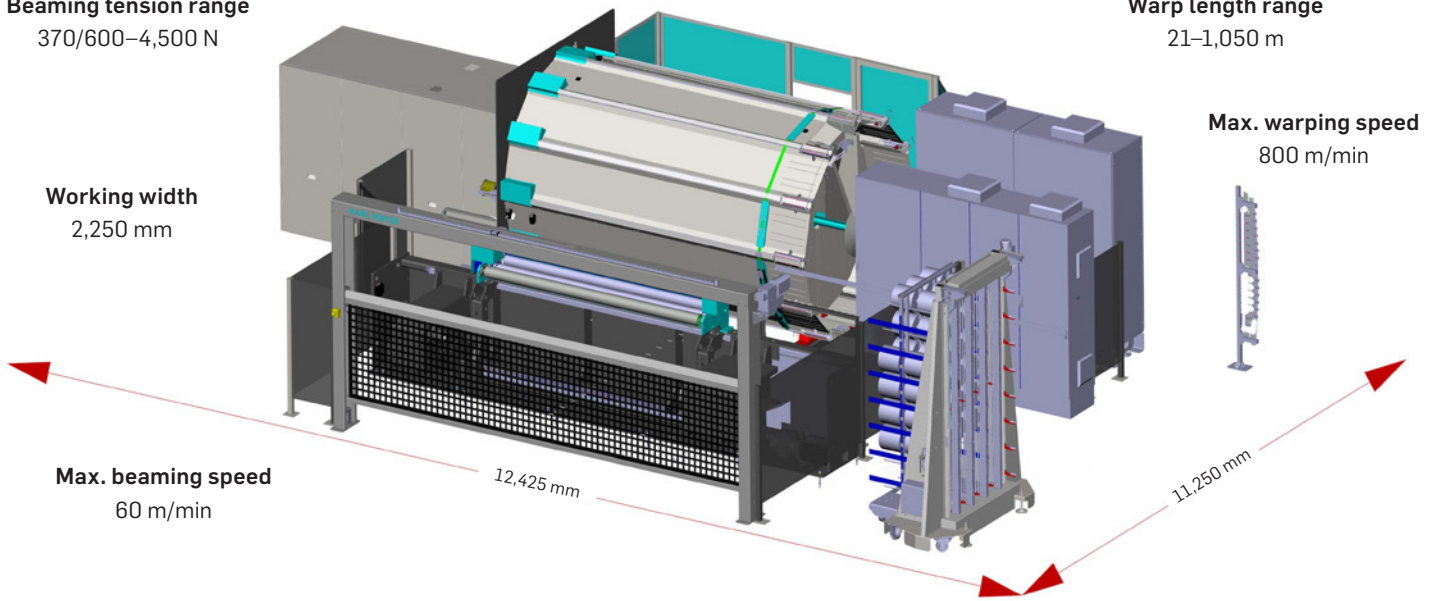
Beaming tension range
370/600–4,500 N

Warp length range
21–1,050 m

Working width
2,250 mm

Max. warping speed
800 m/min

Max. beaming speed
60 m/min



Warp build-up with carbon yarn guides

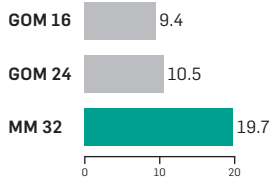
Excellent quality at highest productivity at the same footprint as GIR-O-MATIC®

This machine introduces the new generation of sample warping and ensures an excellent quality of the woven fabrics due to high precise yarn layer. Its main features are the high productivity and interactive creeling support, i.e. a multi-flexible movable creel. Productivity is higher than on other automatic warpers as there is no stopping for leasing and sizing separation. This new machine exceeds in performance as the productivity is more than twice in the same footprint as GIR-O-MATIC®.



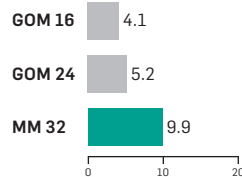
UNI
4,800 ends, 210 m length

No. of beams / day



3 Colours
5,264 ends, 210 m length

No. of beams / day



6 Colours
2,304 ends, 161 m length

No. of beams / day

